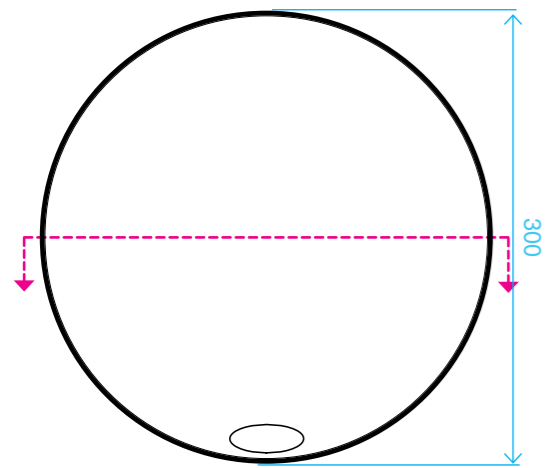
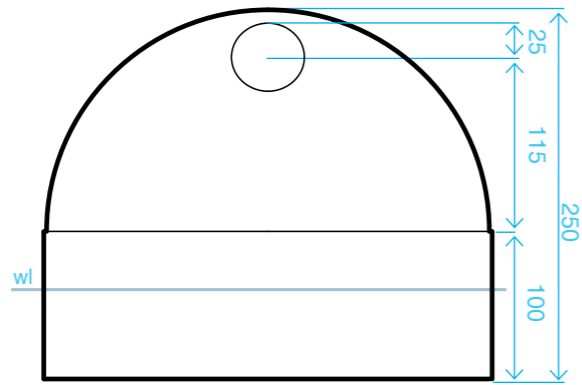


 **PostBall:** an ecological floating postal station...waiting you

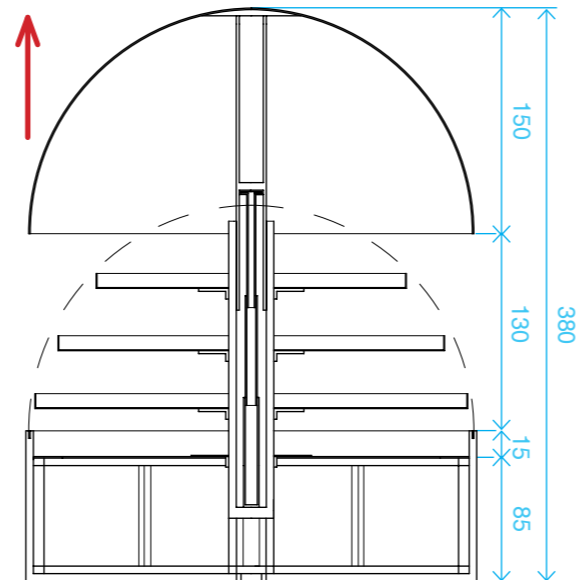


top view

scale 1:50 - all dimension are in cm



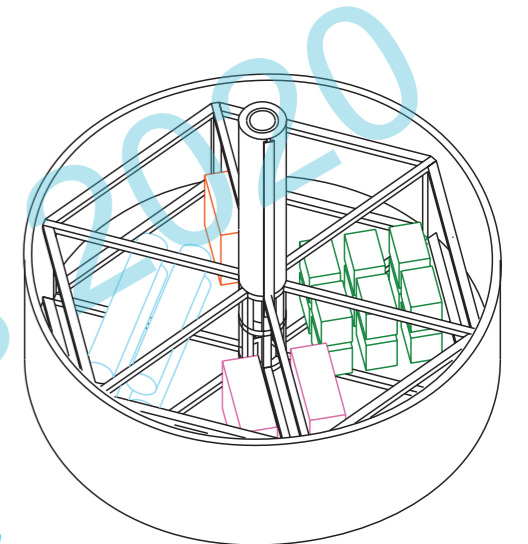
front view



section - open



- fuel cell
- battery
- power
- hydrogen



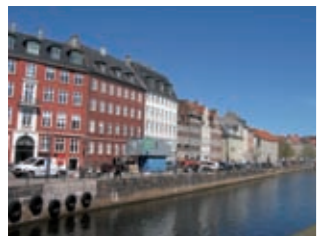
"PostalBall" is a project of mobile postal office where people receive or delivery their packs. It use the hydrogen motors and satellite guide with the advantage of use all the space for packages. The finiture could be reflective, this means that it could reflect the space around its.



PostBall: an ecological floating postal station...waiting you



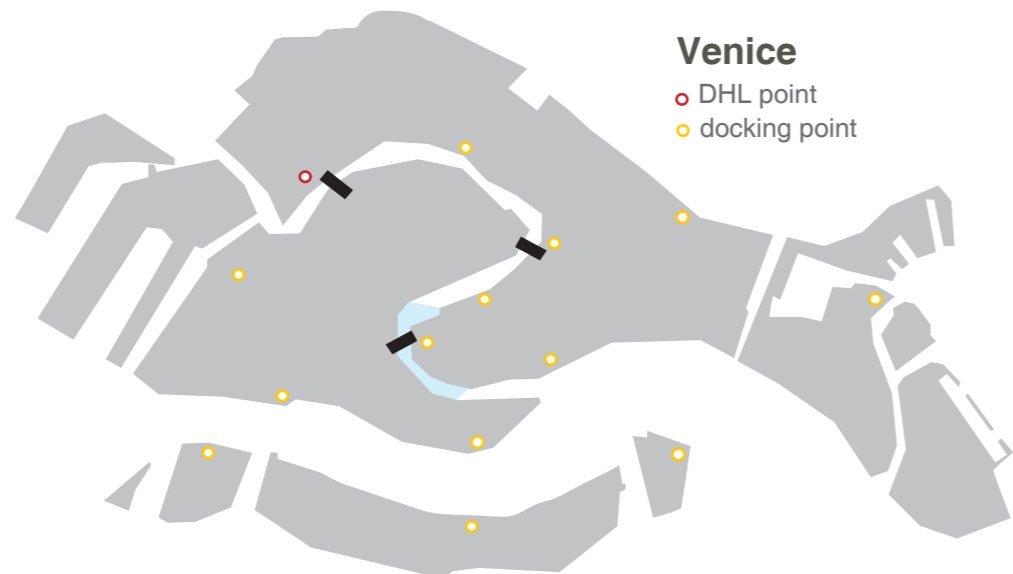
Amsterdam



Copenhagen



Strasbourg

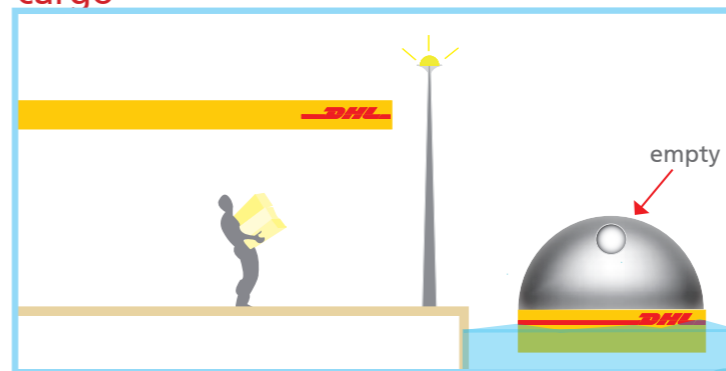


Venice

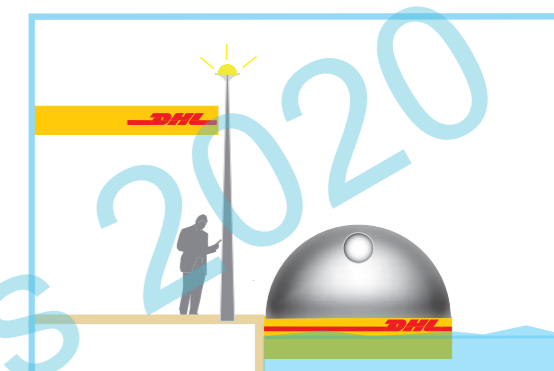
- DHL point
- docking point

There are a lot of city like Venice in the world that have shipway. It could be interesting to use an alternative system of transport for packaging that use this way. PostBall have a network of doking poin and cargo pont in the city. It is like a mobile postal office. There is a timetable of stop then adreseee know when his pack arrive in different point.

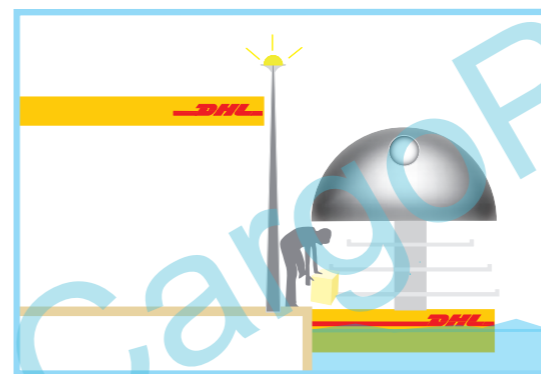
cargo



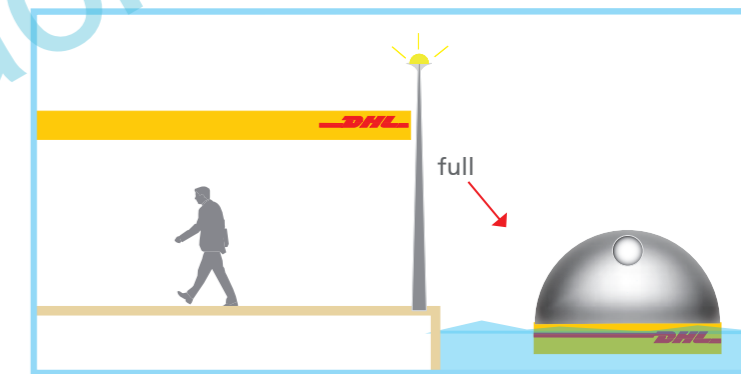
1. arrive to DHL point



2. pincode to open

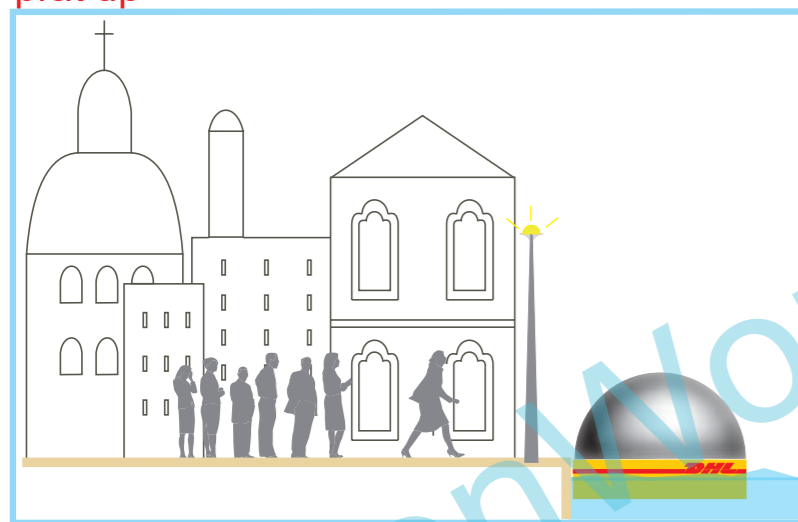


3. cargo

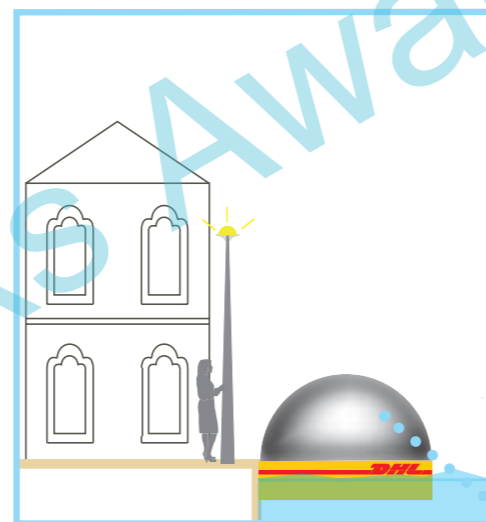


4. departure

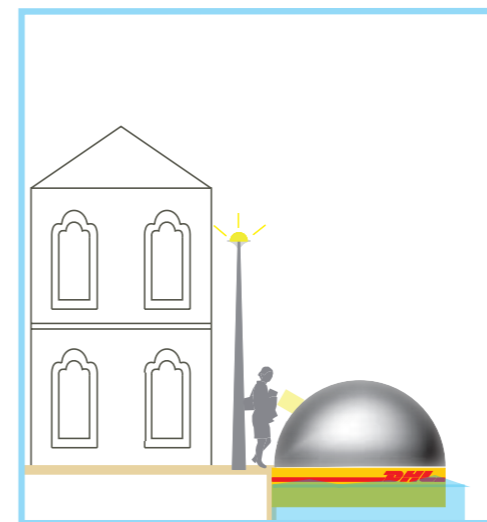
pick up



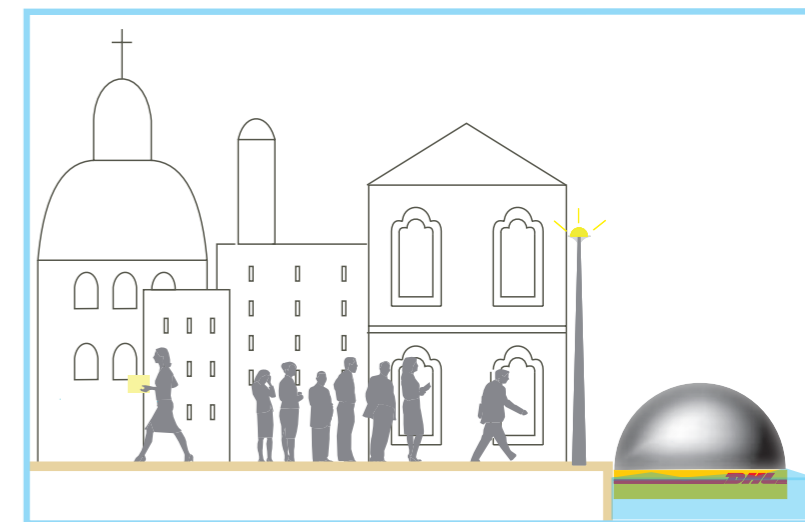
1. arrive at docking point



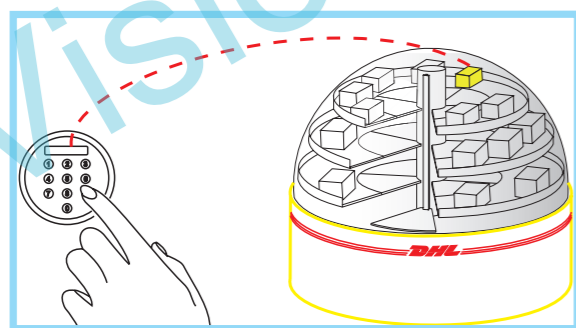
2. pincode



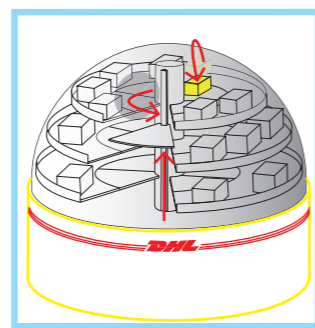
3. pick up



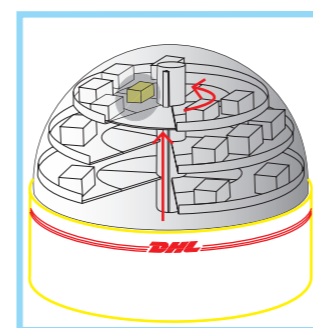
4. next



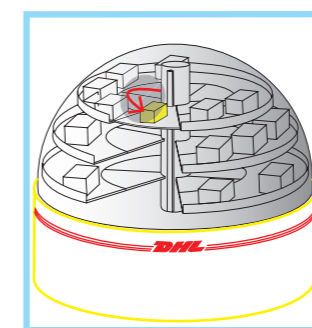
2a. pincode select your pack



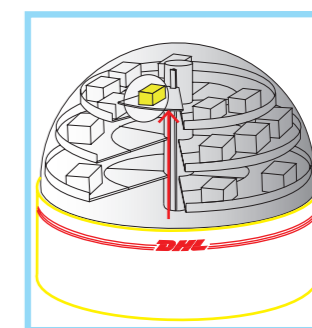
2b. pack move to the turntable



2c.lift go up



2d. pack move to the lift



2e. lift go up then porthole open